



Colour & Foils

Style and performance

An exciting range of finishes, a vast array of glazing options and door furniture to suit every taste. The choice is yours - make a design statement.

The range is available in variety of finishes including white, rosewood, golden oak and a range of solid colours, all can be combined with your choice of glass design, including Georgian square, stained or diamond lead.

Why choose between elegance and practicality when you can have both?

After all, the right window can make all the difference to a room, so it's important for it to look the part and be reliable and cost-effective.

* Colours in the brochure are for visual purposes; for an exact colour ask to see a colour swatch from your SafeChoice installer.

PVC Finishes



Signature White

Standard Foils



Rosewood
8017

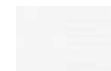


Golden Oak
8003



Anthracite Grey
7016

Special Foils



White
9010



Cream
9001



Black/Brown
8022



Agate Grey
7038



Irish Oak



Anthracite Grey
Smooth 7016



Light Grey
7001



Chartwell Green



Furniture

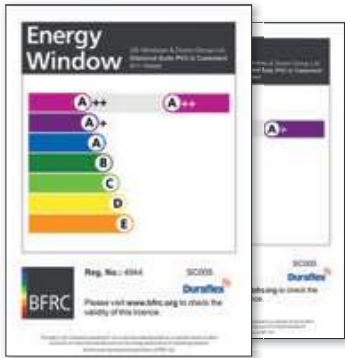
An attractive range of door furniture is available in gold, white, black and chrome; enabling you to select what best suits your home and personal taste.

Also available is the Heritage Range hardware - SafeChoice 'Monkey Tail' is not only aesthetically pleasing, but fully functioning and compatible too.



Glazing

A vast array of glazing options are available. Patterned, Georgian, Stained and Leaded for example. We can help you through the selection process and ensure you choose the style that suits your requirements best.



Energy Efficiency

The best performing windows money can buy

We all want the best from replacement double glazing. That's why our windows stand apart. From styling to performance to saving energy, the advanced design gives you a comfortable, secure, energy-efficient home.

Reduce wasted energy and cut bills

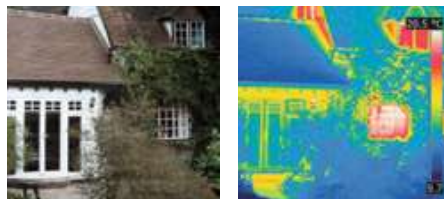
Choosing our windows to replace single glazed or older double glazed units saves money from day one. In fact, it could reduce your heating costs by up to 20% - saving a significant amount of money each year.

Choose better looking frames

Our windows feature low profiles with reflective spacers - so you can't see them at the window edge. Clear, uncluttered sightlines ensure windows look well proportioned, elegant and attractive.

Stop condensation and noise

Lower heat loss at window edges makes our glass 3-4°C warmer - cutting condensation by up to 80%. Using high performance gaskets, our double glazing reduces noise pollution, too.



Above: The images show just how effective fitting energy efficient windows to your property can be. The right hand side of the property still has the original windows – the reds and pinks show heat escaping. However, the new extension on the left is fitted with energy efficient windows, the lack of reds and pinks proving they help dramatically reduce heat loss.

Understanding window energy ratings

The British Fenestration Rating Council's Domestic Window Energy Rating Scheme provides a way to compare the energy performance of windows on a 'like for like' basis. Windows that achieve a minimum C rating or higher can carry the 'Energy Saving Trust Endorsed' tag.



All our Energy Efficient windows achieve C rated or better energy efficiency. Put simply, they're the most energy efficient windows your money can buy. Decide what A, B or C rated performance you want; we'll do the rest.

The next windows you choose could reduce wasted home energy by up to 20%

If the windows in your home consist of single glazed or older double glazed units, replacing them with our energy efficient windows will save you money. It can reduce the energy you need to heat or cool your home by up to 20%.

Energy efficient windows – At the right price

Our energy efficient window system brings together market leading components to deliver exceptional performance. This means quality performing glass and the best performing 'warm edge' spacer technology, is used in the sealed unit. Our window profiles include Q-Lon weather seals, multi chamber construction, high security locking and stainless steel hinges.

Our windows make more of ambient heat

In winter, the energy efficient coated glass used in our windows retains warmth within the home. It's also designed to exploit radiant heat energy from the sun. These properties, coupled with excellent thermal insulation, result in significant fuel savings compared to a single glazed dwelling.

Replacing single glazes...	With...	Could save a year...
Timber framed windows	SafeChoice A+10 double glazed window	10% OFF YOUR ENERGY BILLS (01,57 tonnes CO ₂)
Aluminium framed windows	SafeChoice A+10 double glazed window	20% OFF YOUR ENERGY BILLS (3,35 tonnes CO ₂)

* Above data obtained from Glass and Glazing Federation calculator



Our energy efficient windows reduce condensation by as much as 80%

Get a better looking, healthier, more comfortable home. SafeChoice's superior design and insulation makes all the difference. Outside, your home looks smarter. Inside, everyone feels the benefit.



Reduce condensation and noise

Reduced condensation

The air in homes often has a high moisture content. Whenever we cook, bathe or even breathe, we increase water vapour. When saturated air contacts a cold surface, condensation forms, promoting bacterial growth and mould. Both can compound respiratory problems such as asthma. With lower heat loss at the edges, our windows are typically 3-4°C warmer than those with metal spacer bars, reducing condensation by up to 80%.

Cuts down noise from outside

In today's world, it's difficult to avoid external noise. Whether you live near a major road, under a flight path or near some vocal wildlife, noise pollution can be a cause of major disruption. With double-glazed insulation and our high performance Q-Lon gaskets, our energy efficient windows will help reduce external noise pollution.

How do we do it?

Choose proven technologies for a longer, maintenance-free life – guaranteed.

The components

The Spacer

1. Warm edge spacers

Up to 80% of a double glazed window's energy loss occurs at the glass edge. Ordinary aluminium spacers are highly conductive. In winter they let heat escape and encourage condensation. That's why our windows feature a warm edge spacer with advanced composite construction.

In thermal efficiency tests with identical glazing specifications, windows with warm edge spacers outperformed windows using aluminium or foam.

The profile

2. Q-Lon weather seals

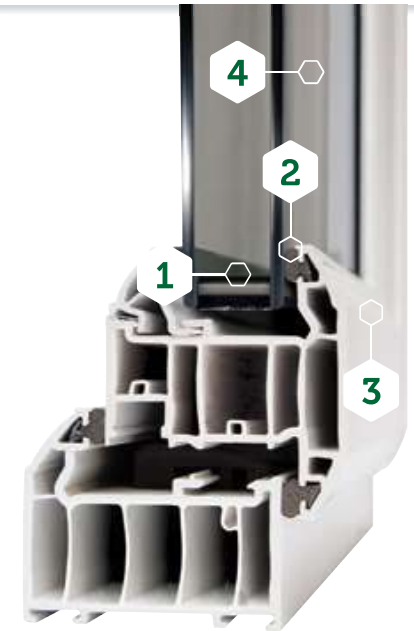
Our windows feature the innovative Q-Lon weather seals. Offering exceptional performance over a wide temperature range, they don't shrink or stretch. Instead they retain their original shape year after year to maintain an excellent weather seal.



The unique construction actively absorbs noise pollution, increasing acoustic insulation. Immune to rot, mould, mildew, UV and ozone, CFC-free Q-Lon weather seals will last the lifetime of a window.

3. Multi-chamber construction and insulated beading

Our multi-chamber construction is designed to improve strength, thermal and acoustic performance.



Other features

Stainless steel friction hinges - High performance, superior quality

High security shootbolt system - Peace of mind with ease of operation

The glass

4. Pilkington glass

Pilkington's range offers proven products and technologies to meet a range of Window Energy Rating and Building Regulation requirements and help you to retain costly energy and exploit radiant heat from the sun.

